

# PHANTOM 3 APPLICATION GUIDE

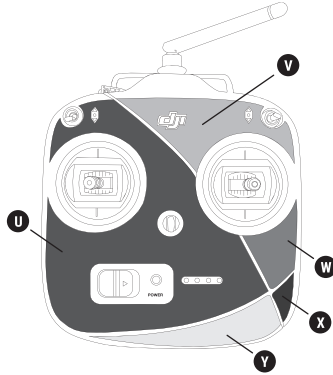
## CONTROLLER

### STEP 1:

Align triangular point of decal "U" to triangular point to start. Follow indicated edges, aligning to matching edge.

### STEP 2:

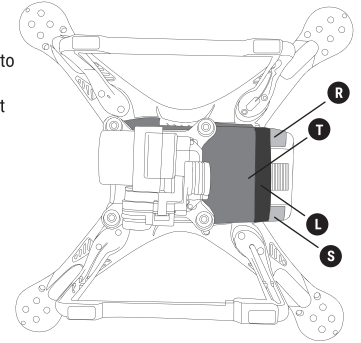
Repeat for decals "V", "W", "X", and "Y"



## BOTTOM

### STEP 1:

Place decal "T" on surface as highlighted. Align to edge of decal "L" as starting point. Work way toward end of one side of decal. Move on to next side once finished.



## TOP

### STEP 1:

Using triangular point to start. Align decal "A" to indicated face using thumb to guide for alignment. Do not completely adhere skin to surface of device.

### STEP 2:

Once edges are aligned, press firmly down on skin molding it to curvature of device.

### STEP 3:

Repeat for decals "B", "C", and "D"

### STEP 4:

Place decal "E" on surface as shown, using edges to align. Repeat for decal "G".

### STEP 5:

Place decal "F" on indicated surface. Use edge and cutout to align skin. Repeat for decal "H".

### STEP 6:

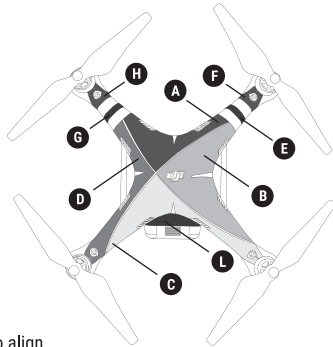
Place decal "I" on surface as shown. First, place side of decal nearest to flight batter, then align edges. Do not completely adhere skin to surface of device.

### STEP 7:

Once edges have been aligned, firmly press down on skin. Mold to curvature of device. Repeat for decal "J".

### STEP 8:

Place decal "L" on indicated surface. Align using edge of flight battery.



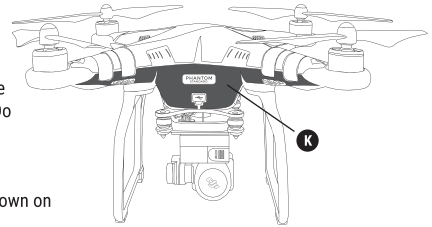
## FRONT SIDE

### STEP 1:

Place decal "K" on face as highlighted. Start from center cutout to align. Once cutout has been aligned, align top edge of decal to bottom edge of decal "A". Do not completely adhere to device.

### STEP 2:

Once alignment is done, firmly press down on skin, molding to curvature of device.



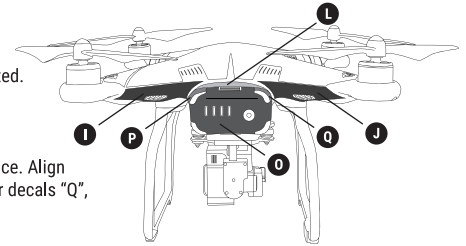
## BACK SIDE

### STEP 1:

Place decal "O" on surface indicated. Use cutouts to align.

### STEP 2:

Place decal "P" on indicated surface. Align using edge of decal "L". Repeat for decals "Q", "R", and "S"



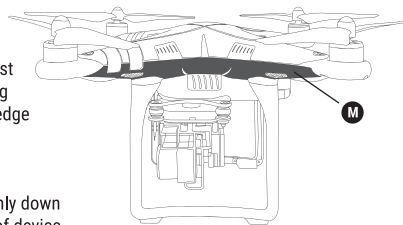
## RIGHT SIDE

### STEP 1:

Place decal "M" on surface as shown. First align left side of decal using cutout. Using thumb, guide decal to align with bottom edge of decal "D".

### STEP 2:

Once edges have been aligned, press firmly down modling skin according to the curvature of device.



## RIGHT SIDE

### STEP 1:

Place decal "N" on surface as highlighted. First align right side of decal using cutout. Using thumb, guide decal to align with bottom of decal "B".

### STEP 2:

Once edges have been aligned, press firmly down modling skin according to the curvature of device.

