

PHANTOM 4 APPLICATION GUIDE

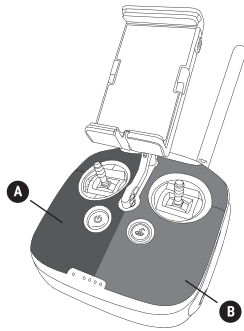
CONTROLLER

STEP 1:

Place decal "A" on side as indicated. Align using circular cutouts as starting reference point.

STEP 2:

Repeat for decal "B" using the edge of decal "A" and the circular cutouts as reference point.



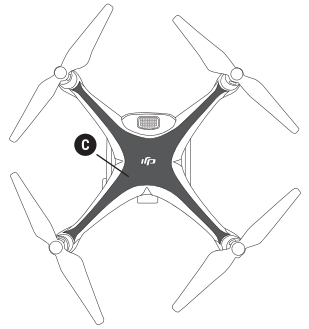
TOP

STEP 1:

Place decal "C" on top face as indicated, using "DJI" logo to align skin

STEP 2:

Press firmly down, molding the skin to curvature of the device



FRONT

STEP 1:

Place decal "E" on face as indicated. Do not completely adhere skin to surface yet.

STEP 2:

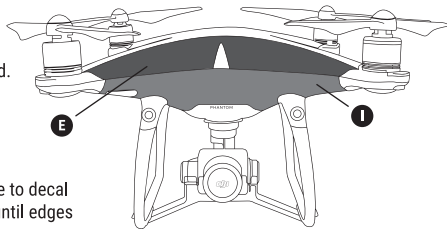
Working on side first, align the edge to decal "C" edge. Repeat on opposite end until edges are completely aligned

STEP 3:

After aligning edges, hold down center of decal with one hand. Finish applying skin with other hand by firmly pressing down, molding skin to curvature of the device body.

STEP 4:

Align decal "I" center to bottom edge of decal "E" without completely adhering skin to surface.



STEP 5:

Once edges have been aligned, hold down center of decal with one hand. With other hand, firmly press down molding skin to the curvature of the device. Some stretching may occur to adjust skin to curves.

BACK

STEP 1:

Place decal "D" on face indicated, starting at the center.

STEP 2:

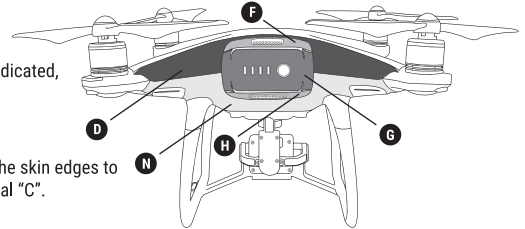
Using your thumb, guide the skin edges to align with the edge of decal "C".

STEP 3:

After aligning edges, align the rest of the skin to curvature of flight battery. Firmly press down, molding skin to curvature of device.

STEP 4:

Align decal "G" using circular cutouts as starting reference point. Repeat for decals "F" and "H".



STEP 5:

Align decal "N" center to flight battery edge without completely adhering skin to surface. Once aligned, firmly press down, molding decal to curvature of device.

RIGHT

STEP 1:

Align center of decal "L" to center of decal "A"

STEP 2:

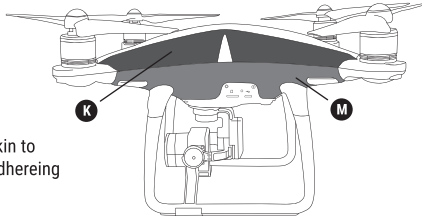
Working on one side, align edges of skin to edge of top skin without completely adhering skin. Repeat step on opposite end.

STEP 3:

Once edges have been aligned, firmly press down center of skin with one hand. Using the other hand, firmly press down on decal molding skin to curvature of the device.

STEP 4:

Align decal "N" center to bottom edge of decal "L" without completely adhering skin to surface.



STEP 5:

Once edges have been aligned, hold down center of decal with one hand. With other hand, firmly press down molding skin to the curvature of the device. Some stretching may occur to adjust skin to curves.

LEFT

STEP 1:

Align center of decal "M" to center of decal "C"

STEP 2:

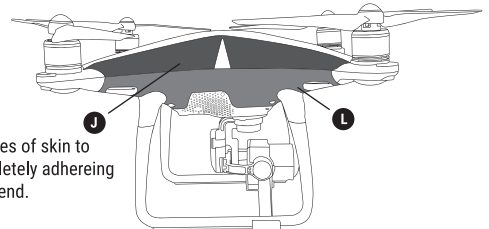
Working on one side, align edges of skin to edge of top skin without completely adhering skin. Repeat step on opposite end.

STEP 3:

Once edges have been aligned, firmly press down center of skin with one hand. Using the other hand, firmly press down on decal molding skin to curvature of the device.

STEP 4:

Align decal "L" center to bottom edge of decal "J" without completely adhering skin to surface.



STEP 5:

Once edges have been aligned, hold down center of decal with one hand. With other hand, firmly press down molding skin to the curvature of the device. Some stretching may occur to adjust skin to curves.