

NINTENDO SWITCH APPLICATION GUIDE

DOCK

FRONT

STEP 1:

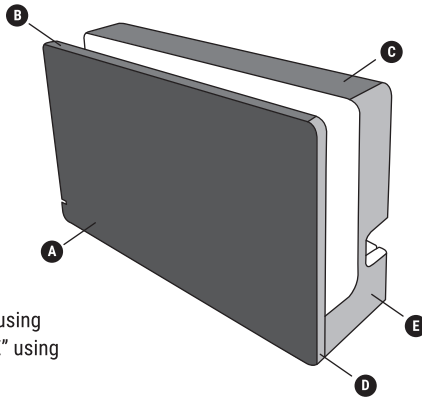
Place decal "A" on indicated face, using the top two corners to line it up

STEP 2:

Place decal "B" and "C" on face as shown using corners to line it up

STEP 3:

Place decal "D" on face as shown using either edge to align. Place decal "E" using corner and cut out section to align



BACK

STEP 1:

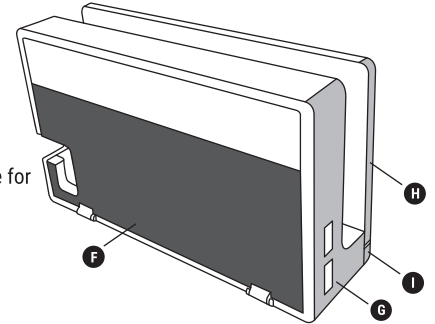
Place decal "F" on indicated face, using the corners and section of the cut out to line it up

STEP 2:

Place decal "G" on face as shown using the USB cut out as reference for alignment. Place decal "H" and "I" on indicated face using edge for alignment

STEP 3:

Place decal "H" and "I" on indicated face using edge for alignment

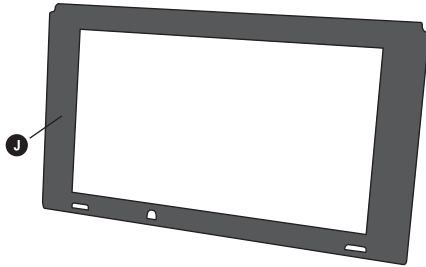


CONSOLE

FRONT

STEP 1:

Place decal "J" on to console using the screen to align on face as shown



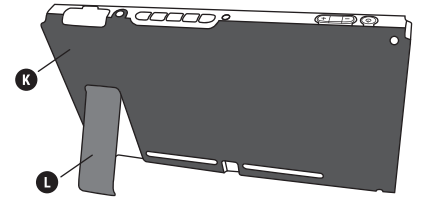
BACK

STEP 1:

Place decal "K" on to console using the cut outs to align on face as shown

STEP 2:

Place decal "L" on to console stand as shown

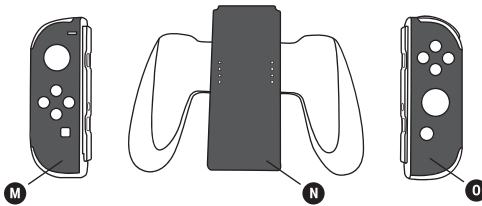


CONTROLLERS

FRONT

STEP 1:

Place decal "M" on to left controller as indicated, using the shaped cutouts to align. Repeat on right controller with decal "O"

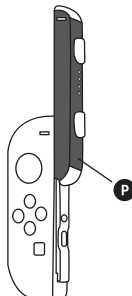


STEP 2:

Place decal "N" on to center of controller as shown, using square cutouts to align

STEP 3:

Place decal "P" on to controller grip face as shown, using cutouts to align it



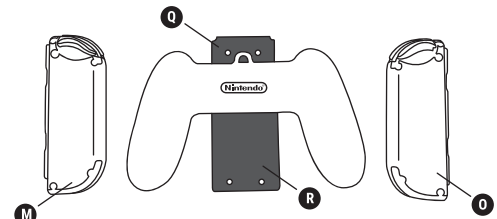
BACK

STEP 1:

Place decal "Q" on indicated face using circular cutouts to align.

STEP 2:

Repeat STEP 1 for decal "R" on indicated face as shown



STEP 3:

Place decal "S" on to controller grip face as shown, using cutouts to align it

