

DJI SPARK APPLICATION GUIDE

TOP

STEP 1:

Place decal "A" on indicated face. Start at the edge of the top face nearest to the camera.

STEP 2:

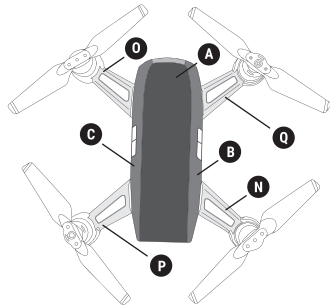
Place decal "B" on indicated face. Use cutouts as starting point. Align edge of decal "B" to edge of decal "A". Repeat for decal "C".

STEP 3:

Place decal "D" between edges of decal "B" and "C".

STEP 4:

Place decal "N" on indicated face. Use cutout as starting point. Once cutout is aligned, work skin around the axes. Repeat for "O", "P", and "Q".



BOTTOM

STEP 1:

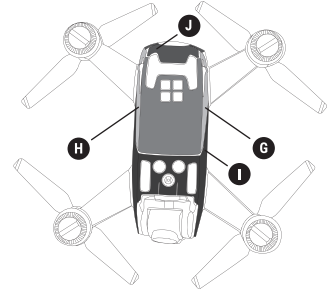
Place decal "G" on indicated face. Use curved edge closest to camera to start aligning skin. Align edge of decal "G" to edge of decal "E". Repeat for decal "H".

STEP 2:

Place decal "I" on indicated face. Use the cutouts to align skin to device.

STEP 3:

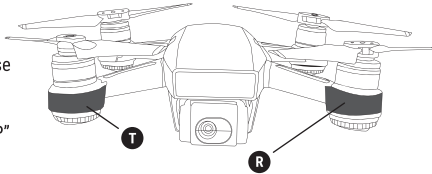
Place decal "J" on indicated face. Use square cutouts to start. Then align edges closest to camera side to edge of decal "I".



FRONT

STEP 1:

Place decal "N" on indicated face. Use cutout as starting point. Once cutout is aligned, work skin around the device. Repeat steps for decal "O", "P" and "Q".



BACK

STEP 1:

Place decal "O" on indicated face. Use cutout as starting point. Once cutout is aligned, work skin around the device. Repeat steps for decals "P" and "Q".

STEP 2:

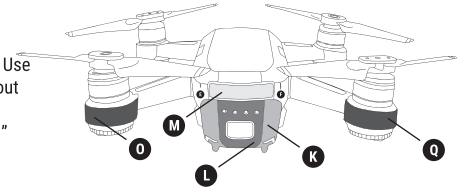
Place decal "M" on indicated face.

STEP 3:

Place decal "L" on indicated face. Use cutouts as reference to align skin.

STEP 4:

Place decal "K" on indicated face. Use edges of decal "L" and corner edges of decal "E" and "F" to align.



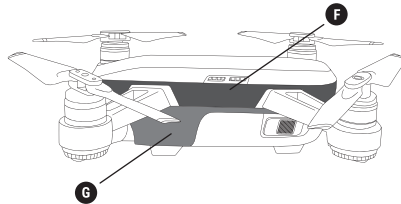
RIGHT

STEP 1:

Place decal "F" on indicated face. Align first to edge closest to camera, then align edge of decal "F" to edge decal "C".

STEP 2:

Place decal "G" on indicated face. Use curved edge closest to camera to start aligning skin. Align edge of decal "G" to edge of decal "F".



LEFT

STEP 1:

Place decal "E" on indicated face. Align first to edge closest to camera, then align edge of decal "E" to edge decal "B".

STEP 2:

Place decal "H" on indicated face. Use curved edge closest to camera to start aligning skin. Align edge of decal "H" to edge of decal "E".

